

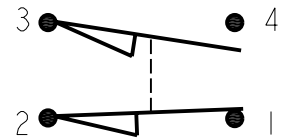
MICROSWITCH
a Honeywell Division

FED. MFG. CODE 91929

SWITCH - ENCLOSED

CATALOG LISTING

LSQ300



CIRCUIT DIAGRAM

PTC/CAD

DRAWN

GLH 30 OCT 96

CHECK

CHECK

CHECK

CHECK

REVISIONS

ISSUE

1

M

PAGE

1 OF 1

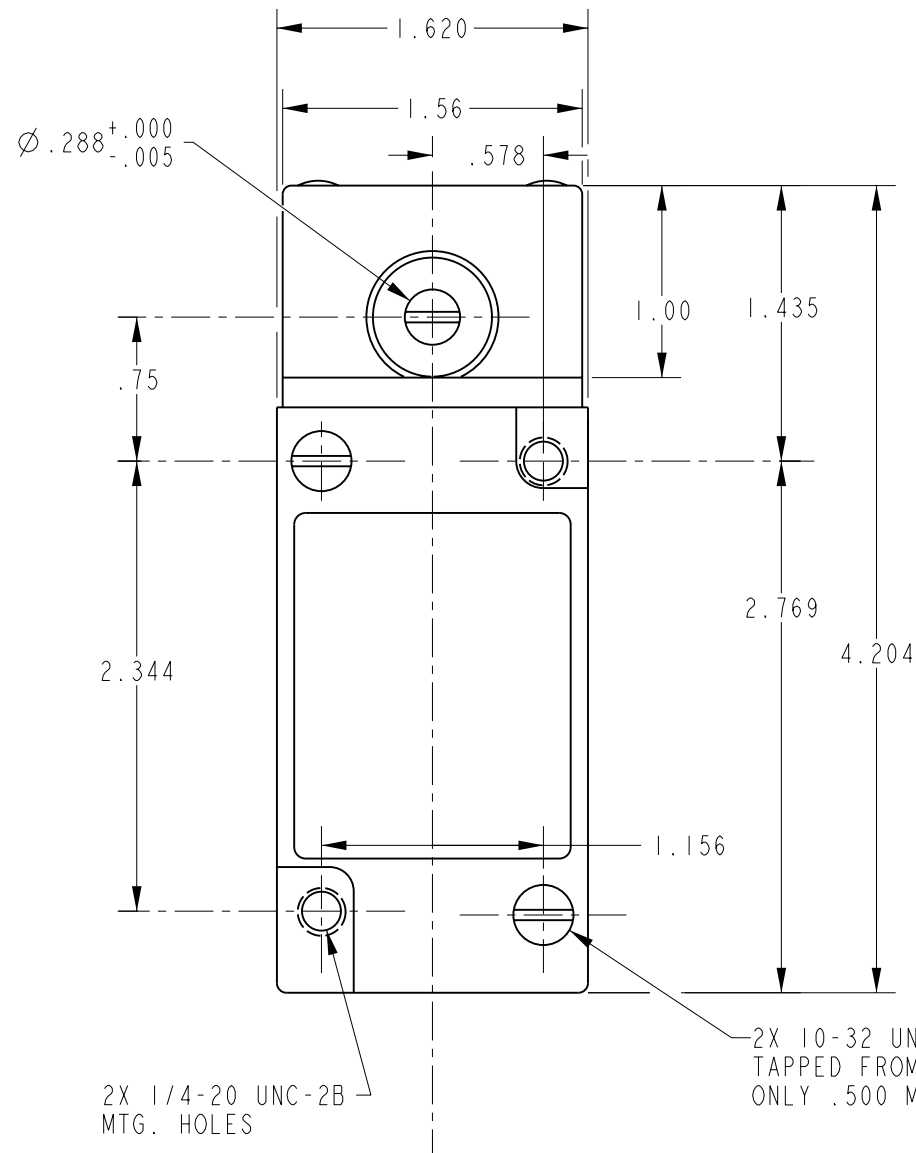
CATALOG LISTING

LSQ300

REPLACES

PR-22474

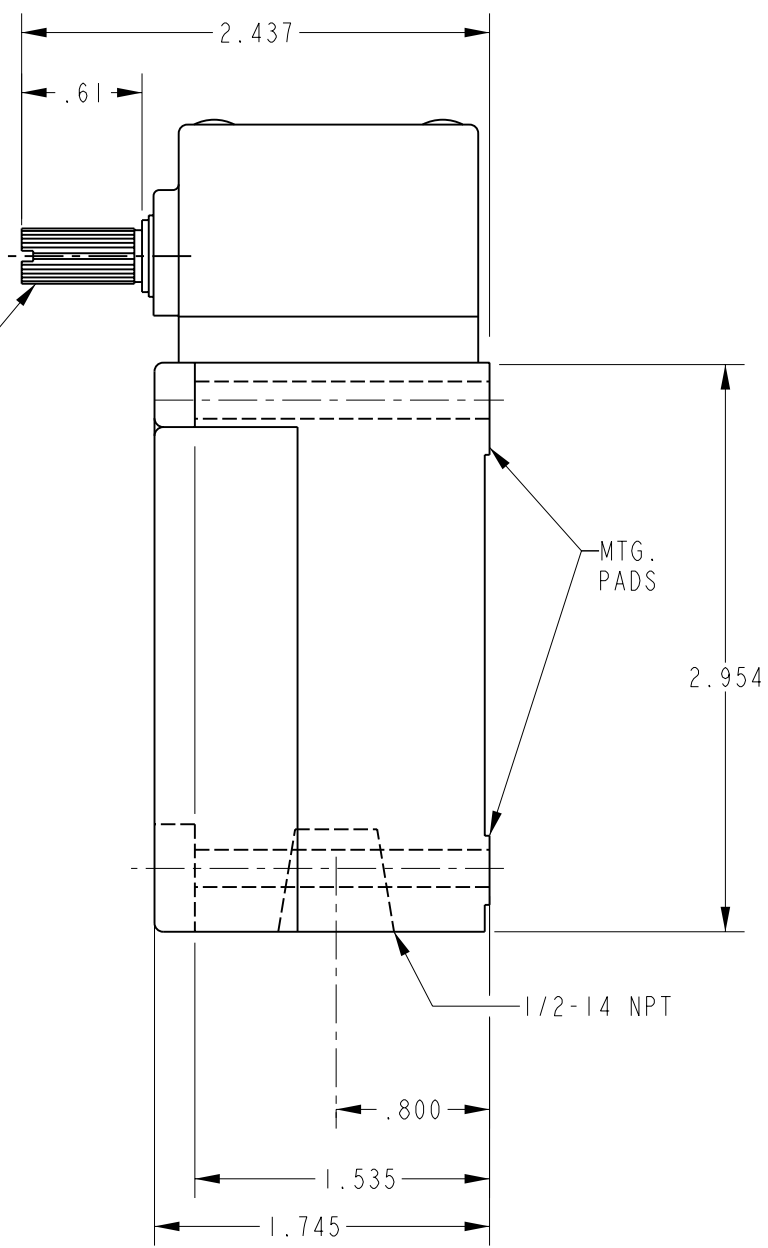
RELEASE NO.



2X 1/4-20 UNC-2B
MTG. HOLES

2X 10-32 UNF-2B
TAPPED FROM REAR
ONLY .500 MIN DEPTH

CORROSION RESISTANT
STAINLESS STEEL SHAFT
WITH STRAIGHT KNURL

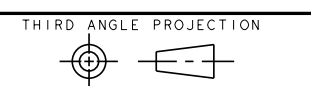


MTG.
PADS

1/2-14 NPT

THIS DRAWING COVERS A PROPRIETARY ITEM AND IS THE PROPERTY OF MICRO SWITCH, A DIVISION OF HONEYWELL. THIS DRAWING IS NOT TO BE COPIED OR USED WITHOUT THE APPROVAL OF MICRO SWITCH

CHARACTERISTICS	ELECTRICAL DATA
OPERATING TORQUE ----- 4 IN LBS MAX	CONTACT ARRANGEMENT
PRETRAVEL ----- 55°	SPDT
CONTACT TRANSFER ----- 60°	
SEGMENT POSITION ----- 90°	
TOTAL SHAFT ROTATION ----- 360° CW OR CCW	



SCALE	FULL
DO NOT SCALE PRINT	
UNLESS OTHERWISE SPECIFIED TOLERANCES ARE	
ONE PLACE	(.0) ±.030
TWO PLACE	(.00) ±.015
THREE PLACE	(.000) ±.005
ANGLES	±
WEIGHT	

NOTES

1 - SWITCH USES FLUOROSILICONE SEALS IN OPERATING HEADS ONLY

ANSI Y14.5M-1982 APPLIES